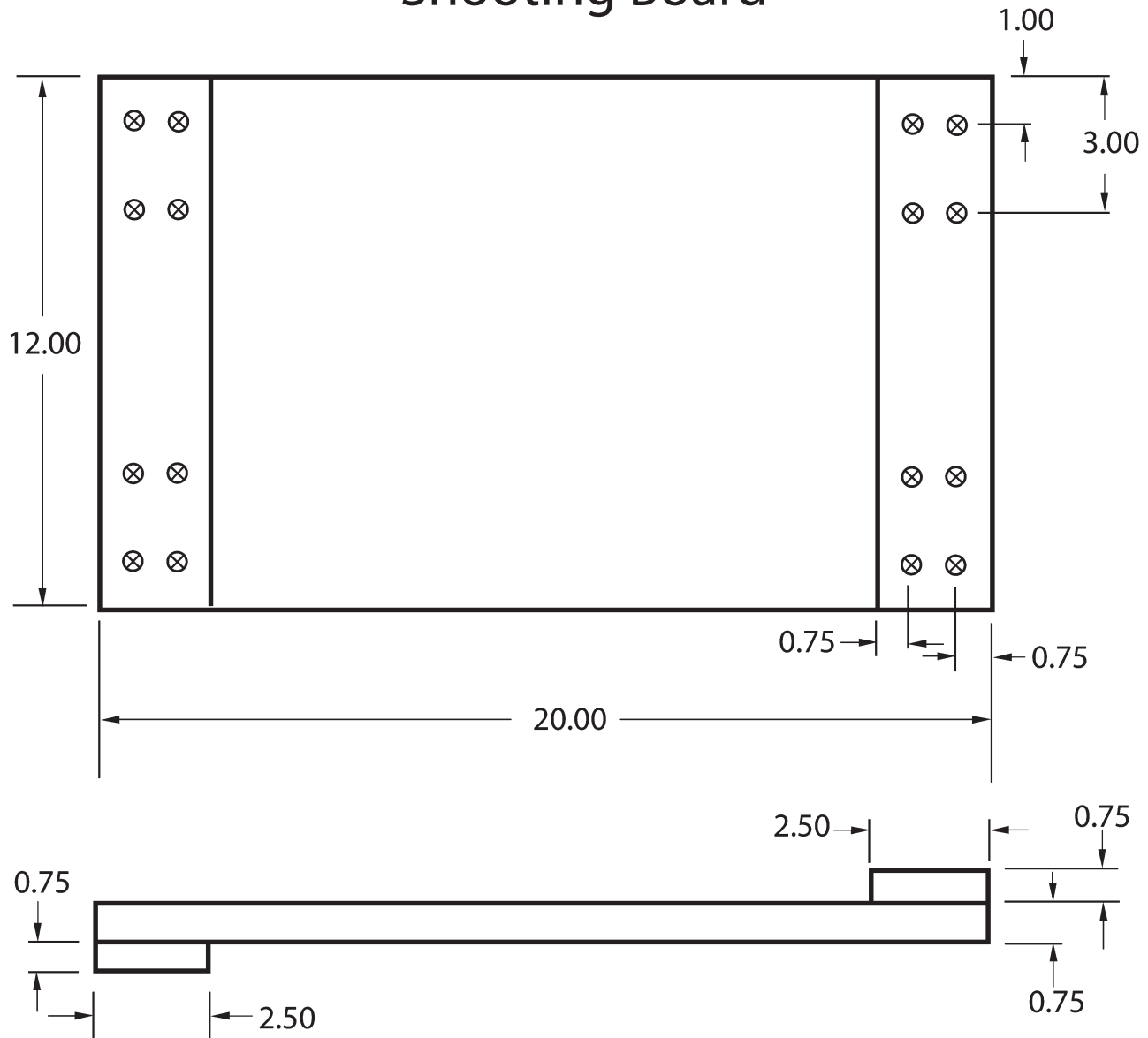


David Charlesworth's Shooting Board and Fixtures

Shooting Board

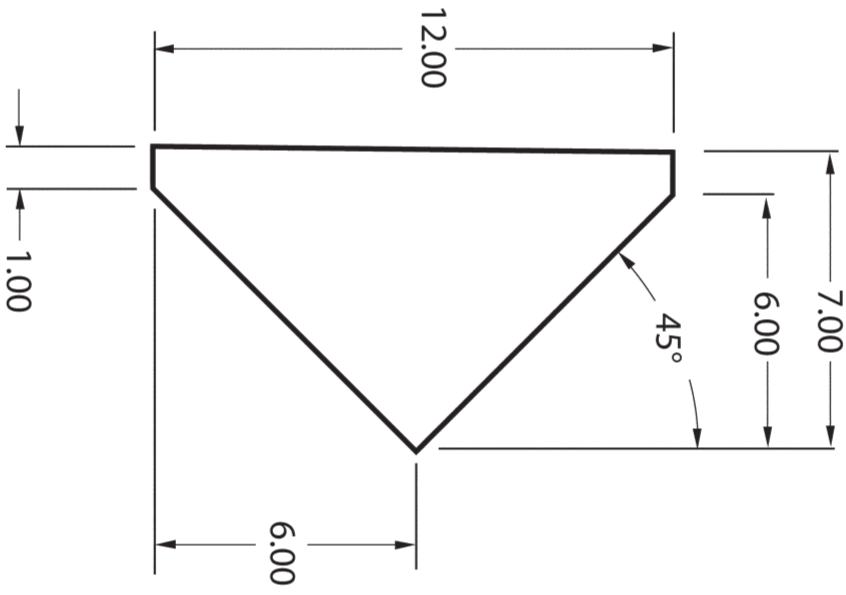


Base made from 3/4" MDF with hard wood fences.
Place on, or screw to a wider thin piece of MDF to
protect bench top while in use.

⊗ = 1 1/4" Counter Sunk Wood Screws
All Measurements in Inches

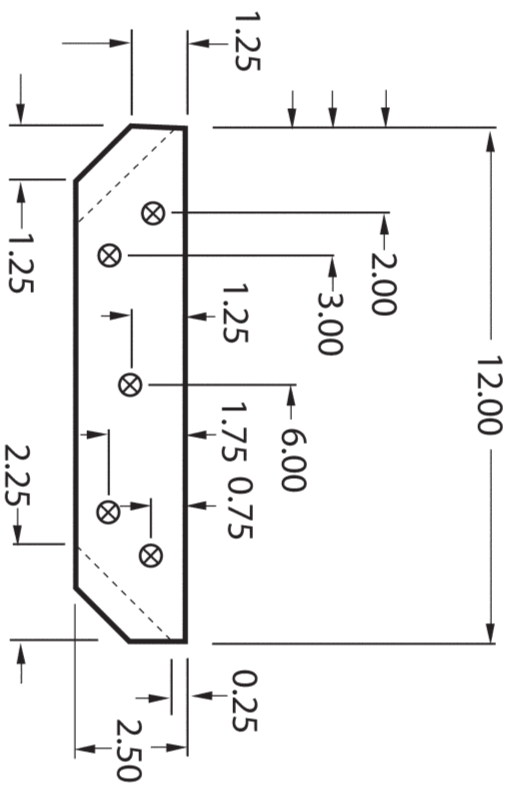
SHOOTING BOARD FIXTURES

45° Fixture

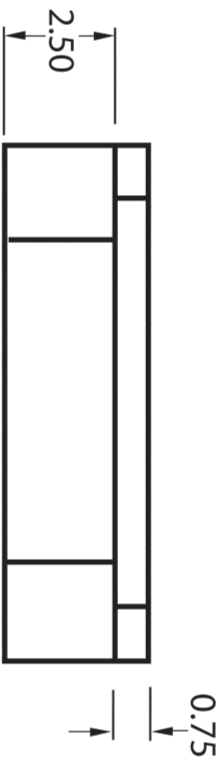


Used for Mitering, made from 3/4" MDF
Can be built for any angle 45° or less.

45° Bird House Fixture



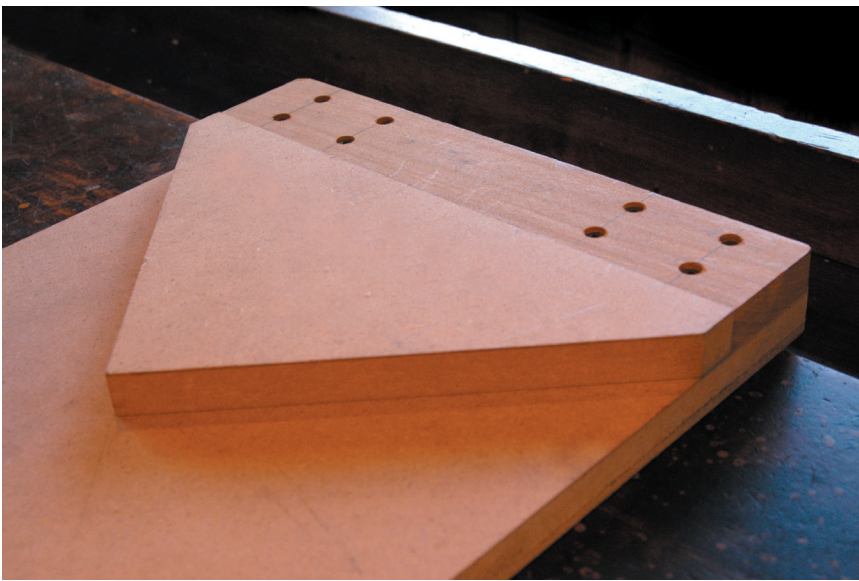
⊗ = 1 1/4" Counter Sunk Wood Screws
All Measurements in Inches



Used for Mitering, body made from hard wood
with a 3/4" MDF over hanging fence.
Can be built for any angle 45/248 or less.



THE SHOOTING BOARD



THE MITER FIXTURE

THE BIRD HOUSE FIXTURE

